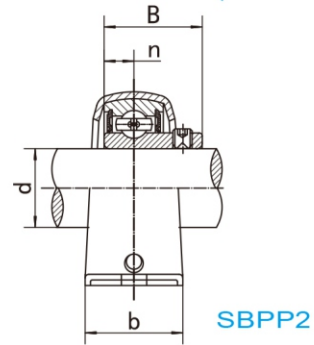
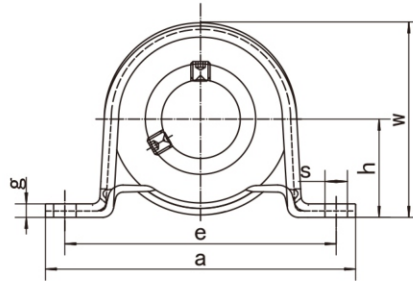
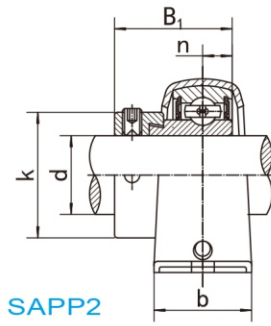


SAPP2
(SA2-Fitted)

Pressed Housing Pillow Blocks
(Light duty)

SBPP2
(SB2-Fitted)



Unit NO.	Dimensions (mm / in.)										Bolt Size mm/in.	Bearing No.	Housing No.	Weight (kg)
	d	h	a	e	b	s	g	w	B ₁	n				
SAPP 201 201-8	12 1/2	22.2 7/8	86 3-3/8	68 2-43/64	25 63/64	9.5 3/8	3.2 0.126	43.8 1-23/32	28.6 1.1260	6.5 0.2559	M8 5/16	SA201	PP204	0.17
SAPP 202 202-9 202-10	15 9/16 5/8											SA202		
SAPP 203 203-11	17 11/16											SA203		
SAPP 204 204-12	20 3/4	25.4 1	98 3-27/32	76 2-63/64	32 1-1/4	9.5 3/8	3.2 0.126	50.5 1-63/64	31 1.2204	7.5 0.2953	M8 5/16	SA204	PP204	0.25
SAPP 205 205-13 205-14 205-15 205-16	25 13/16 7/8 15/16 1	28.6 1-1/8	108 4-1/4	86 3-25/64	32 1-1/4	11.5 29/64	4.0 0.157	56.6 2-15/64	31 1.2204	7.5 0.2953	M10 3/8	SA205	PP205	0.32
SAPP 206 206-17 206-18 206-19 206-20	30 1-1/16 1-1/8 1-3/16 1-1/4	33.3 1-5/16	117 4-39/64	95 3-47/64	38 1-1/2	11.5 29/64	4.0 0.157	66.3 2-39/64	35.7 1.4055	9 0.3543	M10 3/8	SA206	PP206	0.47
SAPP 207 207-20 207-21 207-22 207-23	35 1-1/4 1-5/16 1-3/8 1-7/16	39.7 1-9/16	129 5-5/64	106 4-5/32	42 1-21/32	11.5 29/64	4.6 0.181	78.0 3-1/8	38.9 1.5315	9.5 0.3740	M10 3/8	SA207	PP207	0.76
SAPP 208 208-24 208-25	40 1-1/2 1-9/16	43.7 1-23/32	148 5-53/64	120 4-47/64	43 1-11/16	13.0 33/64	5.0 0.197	86.2 3-25/64	43.7 1.7205	11 0.433	M12 7/16	SA208	PP208	0.92
SAPP 209 209-26 209-27 209-28	45 1-5/8 1-11/16 1-3/4	46.8 1-27/32	156 6-9/64	128 5-3/64	45 1-25/32	13.0 33/64	6.0 0.236	92.3 3-41/64	43.7 1.7205	11 0.433	M12 7/16	SA209	PP209	1.09

Unit NO.	Dimensions (mm / in.)										Bolt Size mm/in.	Bearing No.	Housing No.	Weight (kg)
	d	h	a	e	b	s	g	w	B	n				
SBPP 201 201-8	12 1/2	22.2 7/8	86 3-3/8	68 2-43/64	25 63/64	9.5 3/8	3.2 0.126	43.8 1-23/32	22 0.8661	6 0.2362	M8 5/16	SB201	PP204	0.14
SBPP 202 202-9 202-10	15 9/16 5/8											SB202		
SBPP 203 203-11	17 11/16											SB203		
SBPP 204 204-12	20 3/4	25.4 1	98 3-27/32	76 2-63/64	32 1-1/4	9.5 3/8	3.2 0.126	50.5 1-63/64	25 0.9843	7 0.2756	M8 5/16	SB204	PP204	0.22
SBPP 205 205-13 205-14 205-15 205-16	25 13/16 7/8 15/16 1	28.6 1-1/8	108 4-1/4	86 3-25/64	32 1-1/4	11.5 29/64	4.0 0.157	56.6 2-15/64	27 1.0630	7.5 0.2953	M10 3/8	SB205	PP205	0.28
SBPP 206 206-17 206-18 206-19 206-20	30 1-1/16 1-1/8 1-3/16 1-1/4	33.3 1-5/16	117 4-39/64	95 3-47/64	38 1-1/2	11.5 29/64	4.0 0.157	66.3 2-39/64	30 1.1811	8 0.3150	M10 3/8	SB206	PP206	0.42
SBPP 207 207-20 207-21 207-22 207-23	35 1-1/4 1-5/16 1-3/8 1-7/16	39.7 1-9/16	129 5-5/64	106 4-5/32	42 1-21/32	11.5 29/64	4.6 0.181	78.0 3-1/8	32 1.2598	8.5 0.3346	M10 3/8	SB207	PP207	0.63
SBPP 208 208-24 208-25	40 1-1/2 1-9/16	43.7 1-23/32	148 5-53/64	120 4-47/64	43 1-11/16	13.0 33/64	5.0 0.197	86.2 3-25/64	34 1.3386	9 0.354	M12 7/16	SB208	PP208	0.76
SBPP 209 209-26 209-27 209-28	45 1-5/8 1-11/16 1-3/4	46.8 1-27/32	156 6-9/64	128 5-3/64	45 1-25/32	13.0 33/64	6.0 0.236	92.3 3-41/64	41.2 1.6220	10.2 0.402	M12 7/16	SB209	PP209	1.02