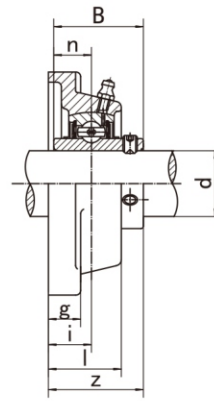
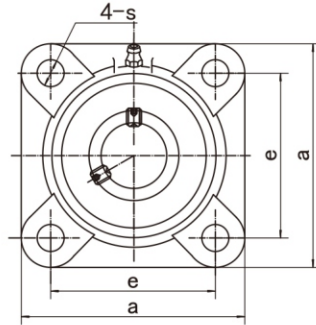


Flange Units (Square)

UCFU2 (Normal-duty)



Unit NO.	Dimensions (mm / in.)										Bolt Size mm/in.	Bearing No.	Housing No.	Weight (kg)
	d	a	e	i	g	l	s	z	B	n				
UCSFU203	17	76.0 3	54.0 2-1/8	15.0 19/32	11.0 7/16	25.5 1	12.0 15/32	12.0 1-7/32	27.4 1.0787	11.5 0.453	M10 3/8	UCS203	FU203S	0.38
UCFU203	17	86.0	63.5	19.0	15.0	29.5	12.0	37.3	31.0	12.7	M10	UC203	FU203	0.64
203-11	11/16	3-3/8	2-1/2	3/4	19/32	1-5/32	15/32	1-15/32	1.2205	0.500	3/8	UC203-11		0.63
UCFU204	20	86.0	63.5	19.0	15.0	29.5	12.0	37.3	31.0	12.7	M10	UC204	FU204	0.62
204-12	3/4	3-3/8	2-1/2	3/4	19/32	1-5/32	15/32	1-15/32	1.2205	0.500	3/8	UC204-12		0.62
UCFU205	25	93.0	70.0	19.0	15.0	30.0	12.0	38.8	34.1	14.3	M10	UC205		0.73
205-13	13/16											UC205-13	FU205	0.77
205-14	7/8	3-21/32	2-3/4	3/4	19/32	1-3/16	15/32	1-17/32	1.3425	0.563	3/8	UC205-14		0.76
205-15	15/16											UC205-15		0.74
205-16	1											UC205-16		0.73
UCFU206	30	106.0	82.5	20.0	16.0	32.5	12.0	42.2	38.1	15.9	M10	UC206		1.04
206-17	1-1/16											UC206-17	FU206	1.05
206-18	1-1/8	4-11/64	3-1/4	25/32	5/8	1-9/32	15/32	1-21/32	1.5000	0.626	3/8	UC206-18		1.06
206-19	1-3/16											UC206-19		1.04
206-20	1-1/4											UC206-20		1.03
UCFU207	35	116.0	92.0	21.0	17.0	35.0	14.0	46.4	42.9	17.5	M12	UC207		1.33
207-20	1-1/4											UC207-20	FU207	1.40
207-21	1-5/16	4-9/16	3-5/8	53/64	43/64	1-3/8	35/64	1-53/64	1.6890	0.689	7/16	UC207-21		1.37
207-22	1-3/8											UC207-22		1.34
207-23	1-7/16											UC207-23		1.31
UCFU208	40	129.0	101.5	24.0	17.0	39.0	14.0	54.2	49.2	19.0	M12	UC208		1.78
208-24	1-1/2	5-5/64	4	15/16	43/64	1-17/32	35/64	2-1/8	1.9370	0.748	7/16	UC208-24	FU208	1.82
208-25	1-9/16											UC208-25		1.79
UCFU209	45	135.0	105.0	24.0	18.0	40.0	16.0	54.2	49.2	19.0	M14	UC209		1.98
209-26	1-5/8	5-5/16	4-9/64	15/16	23/32	1-37/64	5/8	2-1/8	1.9370	0.748	1/2	UC209-26	FU209	2.08
209-27	1-11/16											UC209-27		2.04
209-28	1-3/4											UC209-28		2.00
UCFU210	50	143.0	111.0	28.0	20.0	45.0	18.0	60.6	51.6	19.0	M16	UC210		2.41
210-29	1-13/16	5-5/8	4-3/8	1-3/32	25/32	1-49/64	23/32	2-25/64	2.0315	0.748	5/8	UC210-29	FU210	2.53
210-30	1-7/8											UC210-30		2.48
210-31	1-15/16											UC210-31		2.43
210-32	2											UC210-32		2.39
UCFU211	55	162.0	130.0	31.0	21.0	49.0	18.0	64.4	55.6	22.2	M16	UC211		3.29
211-32	2	6-3/8	5-1/8	1-7/32	53/64	1-59/64	23/32	2-17/32	2.1890	0.874	5/8	UC211-32	FU211	3.44
211-33	2-1/16											UC211-33		3.38
211-34	2-1/8											UC211-34		3.34
211-35	2-3/16											UC211-35		3.27
UCFU212	60	175.0	143.0	34.0	22.0	53.5	18.0	73.7	65.1	25.4	M16	UC212		4.15
212-36	2-1/4	6-57/64	5-5/8	1-11/32	55/64	1-7/64	23/32	2-29/32	2.5630	1.000	5/8	UC212-36	FU212	4.28
212-37	2-5/16											UC212-37		4.20
212-38	2-3/8											UC212-38		4.13
212-39	2-7/16											UC212-39		4.06
UCFU213	65	184.0	149.0	38.0	22.0	58.0	18.0	77.7	65.1	25.4	M16	UC213		4.97
213-40	2-1/2	7-1/4	5-55/64	1-1/2	55/64	2-9/32	23/32	3-1/16	2.5630	1.000	5/8	UC213-40	FU213	5.06
213-41	2-9/16											UC213-41		4.97
UCFU214	70	188.0	152.0	38.0	23.0	59.0	18.0	82.4	74.6	30.2	M16	UC214		5.44
214-42	2-5/8	7-13/32	5-63/64	1-1/2	29/32	2-21/64	23/32	3-1/4	2.9370	1.189	5/8	UC214-42	FU214	5.65
214-43	2-11/16											UC214-43		5.55
214-44	2-3/4											UC214-44		5.45
UCFU215	75	200.0	159.0	41.0	24.0	62.0	18.0	85.5	77.8	33.3	M16	UC215		6.28
215-45	2-13/16	7-7/8	6-17/64	1-39/64	15/16	2-7/16	23/32	3-23/64	3.0630	1.311	5/8	UC215-45	FU215	6.28
215-46	2-7/8											UC215-46		6.53
215-47	2-15/16											UC215-47		6.42
215-48	3											UC215-48		6.22