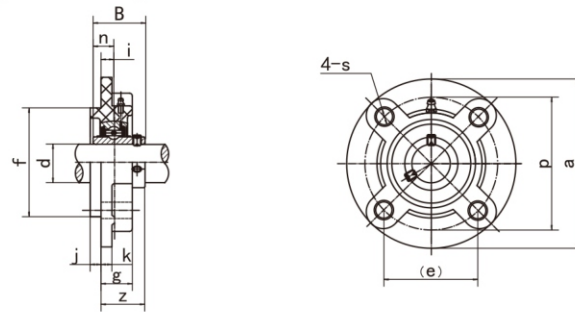


## Ball Bearing Units

### Thermoplastic Housed Flange Cartridge Units



| Unit NO.     | Dimensions ( mm / in. )               |                  |                  |                  |               |               |               |               |                 |                  |                 |               |               | Max.Torque  |    | Bearing No. | Housing No. | Weight (kg) |
|--------------|---------------------------------------|------------------|------------------|------------------|---------------|---------------|---------------|---------------|-----------------|------------------|-----------------|---------------|---------------|-------------|----|-------------|-------------|-------------|
|              | d                                     | a                | p                | (e)              | i             | s             | j             | k             | g               | f                | z               | B             | n             | Bolt D      | Nm |             |             |             |
| SS-UCFCPL204 | 20<br>3/4                             | 100.0<br>3-15/16 | 78.0<br>3-5/64   | 55.1<br>2-11/64  | 10.0<br>25/64 | 12.0<br>15/32 | 5.0<br>13/64  | 7.0<br>9/32   | 20.5<br>13/16   | 62.0<br>2-7/16   | 28.3<br>1-7/64  | 31.0<br>1.220 | 12.7<br>0.500 | M10<br>3/8  | 18 | SS-UC204    | FCPL204     | 0.59        |
| SS-UCFCPL205 | 25<br>13/16 ; 7/8 ; 15/16 ; 1         | 115.0<br>4-17/32 | 90.0<br>3-35/64  | 63.6<br>2-1/2    | 10.0<br>25/64 | 12.0<br>15/32 | 6.0<br>15/64  | 7.0<br>9/32   | 21.0<br>53/64   | 70.0<br>2-3/4    | 29.8<br>1-11/64 | 34.1<br>1.343 | 14.3<br>0.542 | M10<br>3/8  | 25 | SS-UC205    | FCPL205     | 0.71        |
| SS-UCFCPL206 | 30<br>1-1/16 ; 1-1/8 ; 1-3/16 ; 1-1/4 | 125.0<br>4-59/64 | 100.0<br>3-15/16 | 70.7<br>2-25/32  | 10.0<br>25/64 | 12.0<br>15/32 | 8.0<br>5/16   | 8.0<br>5/16   | 23.0<br>29/32   | 80.0<br>3-5/32   | 32.2<br>1-17/64 | 38.1<br>1.500 | 15.9<br>0.626 | M10<br>3/8  | 30 | SS-UC206    | FCPL206     | 0.94        |
| SS-UCFCPL207 | 35<br>1-1/4 ; 1-5/16 ; 1-3/8 ; 1-7/16 | 135.0<br>5-5/16  | 110.0<br>4-21/64 | 77.8<br>3-1/16   | 11.0<br>7/16  | 14.0<br>35/64 | 8.0<br>5/16   | 9.0<br>23/64  | 26.0<br>1-1/32  | 90.0<br>3-35/64  | 36.4<br>1-7/16  | 42.9<br>1.689 | 17.5<br>0.689 | M12<br>7/16 | 35 | SS-UC207    | FCPL207     | 1.17        |
| SS-UCFCPL208 | 40<br>1-1/2 ; 1-9/16                  | 145.0<br>5-45/64 | 120.0<br>4-23/32 | 84.8<br>3-11/32  | 11.0<br>7/16  | 14.0<br>35/64 | 10.0<br>25/64 | 9.0<br>23/64  | 26.0<br>1-1/32  | 100.0<br>3-15/16 | 41.2<br>1-5/8   | 49.2<br>1.937 | 19.0<br>0.748 | M12<br>7/16 | 40 | SS-UC208    | FCPL208     | 1.42        |
| SS-UCFCPL209 | 45<br>1-5/8 ; 1-11/16 ; 1-3/4         | 160.0<br>6-19/64 | 132.0<br>5-13/64 | 93.3<br>3-43/64  | 10.0<br>25/64 | 16.0<br>5/8   | 12.0<br>15/32 | 14.0<br>35/64 | 26.0<br>1-1/32  | 105.0<br>4-9/64  | 40.2<br>1-37/64 | 49.2<br>1.937 | 19.0<br>0.748 | M14<br>1/2  | 45 | SS-UC209    | FCPL209     | 1.55        |
| SS-UCFCPL210 | 50<br>1-13/16 ; 1-7/8 ; 1-15/16 ; 2   | 165.0<br>6-1/2   | 138.0<br>5-7/16  | 97.6<br>3-27/32  | 10.0<br>25/64 | 16.0<br>5/8   | 12.0<br>15/32 | 14.0<br>35/64 | 28.0<br>1-7/64  | 110.0<br>4-21/64 | 42.6<br>1-43/64 | 51.6<br>2.031 | 19.0<br>0.748 | M14<br>1/2  | 50 | SS-UC210    | FCPL210     | 1.76        |
| SS-UCFCPL211 | 55<br>2 ; 2-1/16 ; 2-1/8 ; 2-3/16     | 185.0<br>7-9/32  | 150.0<br>5-29/32 | 106.1<br>4-11/64 | 13.0<br>33/64 | 19.0<br>3/4   | 12.0<br>15/32 | 15.0<br>19/32 | 31.0<br>1-7/32  | 125.0<br>4-59/64 | 46.4<br>1-53/64 | 55.6<br>2.189 | 22.2<br>0.874 | M16<br>5/8  | 55 | SS-UC211    | FCPL211     | 2.15        |
| SS-UCFCPL212 | 60<br>2-1/4 ; 2-5/16 ; 2-3/8 ; 2-7/16 | 195.0<br>7-43/64 | 160.0<br>6-19/64 | 113.1<br>4-29/64 | 17.0<br>43/64 | 19.0<br>3/4   | 12.0<br>15/32 | 15.0<br>19/32 | 36.0<br>1-27/64 | 135.0<br>5-5/16  | 56.7<br>2-15/64 | 65.1<br>2.563 | 25.4<br>1.000 | M16<br>5/8  | 60 | SS-UC212    | FCPL212     | 2.64        |