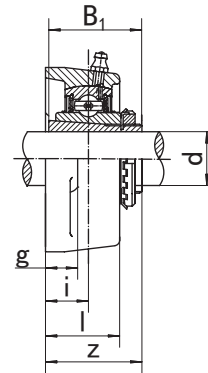
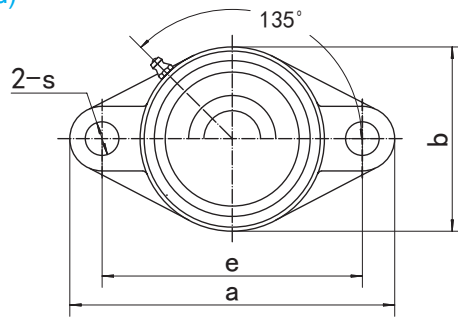


Flange Units (Oval)
(with adapter mounted)

UKFLX (Medium-duty)



Unit NO.	Dimensions (mm / in.)										Bolt Size mm/in.	Bearing No.	Housing No.	Weight (kg)
	d	a	e	i	g	l	s	b	z	B ₁				
UKFLX05;H2305	20	141	117	18	13	30	12	83	39	35	M10	UKX05;H2305	FLX05	0.90
X05;HE2305	3/4	5-9/16	4-39/64	45/64	1/2	1-3/16	15/32	3-9/32	1-17/32	1.378	3/8	UKX05;HE2305		
UKFLX06;H2306	25	156	130	19	15	34	16	95	41.5	38	M14	UKX06;H2306	FLX06	1.30
X06;HS2306	7/8	6-5/32	5-1/8	3/4	19/32	1-11/32	5/8	3-3/4	1-41/64	1.496	1/2	UKX06;HS2306		
X06;HE2306	1											UKX06;HE2306		
UKFLX07;H2307	30	171	144	21	16	38	16	105	45.5	43	M14	UKX07;H2307	FLX07	1.70
X07;HS2307	1-1/8	6-23/32	5-43/64	53/64	5/8	1-1/2	5/8	4-1/8	1-51/64	1.693	1/2	UKX07;HS2307		
UKFLX08;H2308	35	179	148	22	16	40	16	111	47.5	46	M14	UKX08;H2308	FLX08	1.98
X08;HE2308	1-1/4	7-1/16	5-53/64	55/64	5/8	1-9/16	5/8	4-3/8	1-7/8	1.811	1/2	UKX08;HE2308		
X08;HS2308	1-3/8											UKX08;HS2308		
UKFLX09;H2309	40	189	157	23	16	40	16	116	50	50	M14	UKX09;H2309	FLX09	2.15
X09;HA2309	1-7/16	7-7/16	6-3/16	29/32	5/8	1-37/64	5/8	4-9/16	1-31/32	1.969	1/2	UKX09;HA2309		
X09;HE2309	1-1/2											UKX09;HE2309		
X09;HS2309	1-5/8											UKX09;HS2309		
UKFLX10;H2310	45	216	184	26	18	44	19	133	55.5	55	M16	UKX10;H2310	FLX10	3.12
X10;HS2310	1-5/8	8-1/2	7-1/4	1-1/32	23/32	1-23/32	3/4	5-1/4	2-3/16	2.165	5/8	UKX10;HS2310		
X10;HA2310	1-11/16											UKX10;HA2310		
X10;HE2310	1-3/4	UKX10;HE2310												