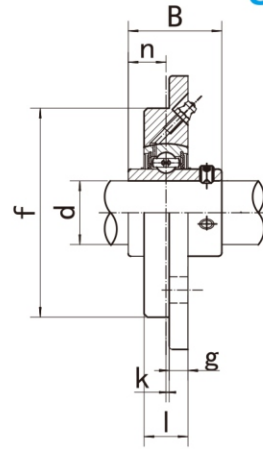
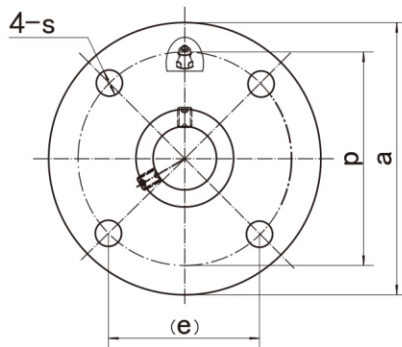


Flange Cartridge Units

UCME2 (Normal-duty)



Unit NO.	Dimensions (mm / in.)											Bolt Size mm/in.	Bearing No.	Housing No.	Weight (kg)
	d	a	p	(e)	s	l	k	g	f	B	n				
UCME204	20	100 3-15/16	78 3-5/64	55.1 2-11/64	9 13/64	17 43/64	0.5 1/64	8 5/16	62 2.4409	31 1.2205	12.7 0.500	M8 5/16	UC204RG	ME204	0.52
UCME205	25	115 4-17/32	90 3-35/64	63.6 2-1/2	9 13/64	19 3/4	1.5 1/16	9 13/64	70 2.7559	34.1 1.3425	14.3 0.563	M8 5/16	UC205RG	ME205	0.74
UCME206	30	125 4-59/64	100 3-15/16	70.7 2-25/32	11.5 29/64	20.5 13/16	1.5 1/16	9.5 3/8	80 3.1496	38.1 1.5000	15.9 0.626	M10 3/8	UC206RG	ME206	0.97
UCME207	35	135 5-5/16	110 4-21/64	77.8 3-1/16	11.5 29/64	20.5 13/16	0.5 1/64	10 25/64	90 3.5433	42.9 1.6890	17.5 0.689	M10 3/8	UC207RG	ME207	1.24
UCME208	40	145 5-45/64	120 4-23/32	84.8 3-11/32	11.5 29/64	23 29/32	1 3/64	11.5 29/64	100 3.9370	49.2 1.9370	19 0.748	M10 3/8	UC208RG	ME208	1.61
UCME209	45	155 6-7/64	130 5-1/8	91.9 3-5/8	14 35/64	25 63/64	2 5/64	12 15/32	105 4.1339	49.2 1.9370	19 0.748	M12 1/2	UC209RG	ME209	1.93
UCME210	50	165 6-1/2	135 5-5/16	95.5 3-47/64	14 35/64	25 63/64	0 0	13 33/64	110 4.3307	51.6 2.0315	19 0.748	M12 1/2	UC210RG	ME210	2.28
UCME211	55	185 7-9/32	150 5-29/32	106.1 4-3/16	18 45/64	27.5 1-5/64	0 0	15 19/32	125 4.9216	55.6 2.1890	22.2 0.874	M16 5/8	UC211RG	ME211	2.95
UCME212	60	195 7-11/16	160 6-19/64	113.1 4-29/64	18 45/64	29 1-9/64	-0.5 -1/64	16 5/8	135 5.3150	65.1 2.5630	25.4 1.000	M16 5/8	UC212RG	ME212	3.57
UCME213	65	205 8-5/64	170 6-11/16	120.2 4-47/64	19 3/4	29 1-9/64	-3 -1/8	18 45/64	145 5.7087	65.1 2.5630	25.4 1.000	M16 5/8	UC213RG	ME213	4.84
UCME214	70	215 8-15/32	177 6-31/32	125.1 4-59/64	18 45/64	32 1-1/4	-0.5 -1/64	18 45/64	150 5.9055	74.6 2.9370	30.2 1.189	M16 5/8	UC214RG	ME214	5.30
UCME215	75	220 8-21/32	184 7-1/14	130.1 5-1/8	18 45/64	32 1-1/4	-1 -3/64	18 45/64	160 6.2992	77.8 3.0630	33.3 1.311	M16 5/8	UC215RG	ME215	5.30
UCME216	80	220 8-21/32	184 7-1/4	130.1 5-1/8	18 45/64	32 1-1/4	-2 -5/64	18 45/64	160 6.2992	82.6 3.2520	33.3 1.311	M16 5/8	UC216RG	ME216	5.60
UCME218	90	265 10-7/16	220 8-21/32	155.5 6-1/8	23 29/32	36 1-27/64	-2 -5/64	20 25/32	190 7.4803	96 3.7795	39.7 1.5630	M20 3/4	UC218RG	ME218	9.20